

# Model S500

## Check Valve

SAYATVA'S Model S500 is a metal to metal seal Check valve & field-proven design that offers to prevent the backflow for drilling and production applications in the oilfield applications.

### Reliability:

The Model S500 check valve has a track record of proven performance in the field, indicating its reliability.

### Trouble Free Tight Sealing:

Poppet can be spring loaded for positive closure in any position. It is machined to the tightest tolerances to ensure trouble free shutoff and cycling.

### Body to Bonnet Joint:

Devised to assert an even weight to the gasket to guarantee a leak proof seal with the reliable performance.

### Application:

- Choke & Kill Manifolds
- Christmas Tree Injection & Kill Lines
- BOP Kill and Emergency Lines
- Drilling Application
- Production Applications
- Well Heads

### Features & Benefits:

- Top entry valve, no bottom penetration
- True metal to metal sealing
- Uni-directional valve
- Various trims are available to meet different operating conditions
- Designed for extreme pressure and temperature
- Used in Drilling and Production applications
- Easy Assembly and Disassembly
- Low Maintenance

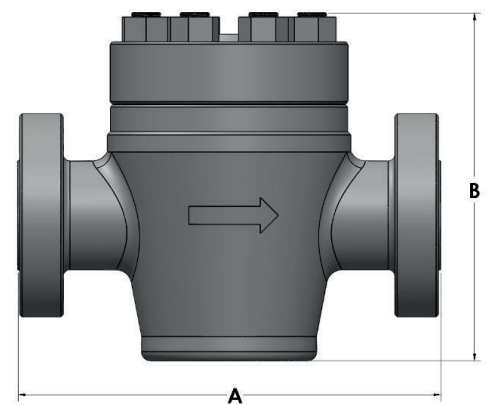


# Model S500

## Check Valve

Technical Specification:	
Inlet / Outlet Connections	2-1/16" to 4-1/16"
API Pressure Rating (PSI)	5000, 10000, 15000
Design Standard	API Spec 6A Latest Edition
Material Class	API Material class DD up to HH-NL - The valve body / bonnet with forged construction - API 75K material, impact tested
Temperature Range	-50 deg. F to 350 deg. F
PSL	PSL 1, PSL 2, PSL 3 & PSL 3G
PR	PR 1, PR 2, PR2F
Service Condition	NACE MR0175 / H2S Service.
Trim options	Metal to Metal sealing - Alloy grade Poppet and Seat provides added endurance to wear and tear and attrition of the sealing surface - Poppet and Seat can be nitrided or QPQ
Bolting	As per API 20E Monogrammed (BSL 1, BSL 2, BSL 3)
Inlay Requirements	Alloy 625 inlay for ring grooves, seat pockets. Bonnet grooves (upon request)
Flange Face to Face Reference	As per API 6A latest Edition
Monograms	As per API 6A latest Edition
Certifications / Type Approval	Additional Third-party certification available upon request
Aramco Requirements	Valves in compliance with Aramco Well Control 6 <sup>th</sup> Edition are available upon request

Valve Dimensions:			
Valve Size	Face to Face (A) (±0.06)	Height (B) (±0.04)	Weight (lbs)
5000 PSI			
2-1/16"	14.62"	14.00"	150
10000 PSI			
2-1/16"	20.50"	15.00"	200
3-1/16"	24.38"	19.00"	435
15000 PSI			
2-1/16"	19.00"	16.00"	200
3-1/16"	23.56"	21.00"	500



Dimensions and BOM details are available upon request.  
For Further questions or quotations requests, contact [sales@sayatva.com](mailto:sales@sayatva.com).

# Model S500

Check Valve

