

Model S600P

Positive Choke

SAYATVA'S Model S600P Positive Choke offers various features making it suitable for wellhead applications in oil and gas services up to 15,000 PSI operating pressure.

Tungsten Carbide Tip:

The Seat Sealing is provided with solid tungsten carbide. It is suitable for demanding conditions such as flashing and cavitation. On occasion, the service life is long, and the flow adjustment with the fixed orifice, accuracy can be greatly improved.

Convertible:

Convertible to an adjustable choke by exchanging the blanking plug and choke bean with an adjustable choke bonnet assembly and seat.

Body Vent Fitting:

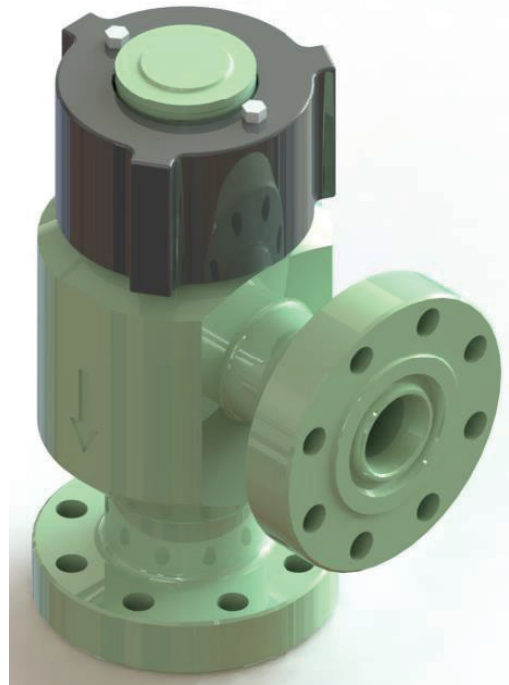
Built-in safety feature which releases residual pressure in the choke body before the nut is fully removed.

Reliability:

The Model S600P Positive choke has a track record of proven performance in the field, indicating its reliability.

Application:

- Drilling Application
- Production Applications
- Well Head & Christmas Tree equipment
- Choke Manifold
- Kill manifold
- Choke & Kill Manifold



Features & Benefits:

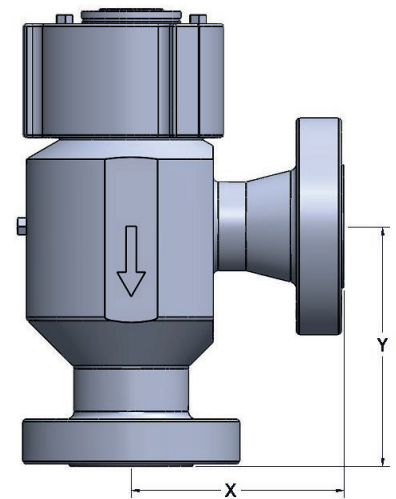
- Fixed flow bean used to control flow and pressure
- Used in sour gas, aggressive slurry and/ or sand applications
- Used in well testing, High pressure drilling and production application
- Carbide inserts are used in flow bean
- Different flow beans available in 1/64" increments
- Easy assembly and disassembly
- Low maintenance

Model S600P

Positive Choke

Technical Specification:	
Inlet / Outlet Connections	2-1/16" to 4-1/16"
API Pressure Rating (PSI)	2000, 3000, 5000, 10000, 15000
Design Standard	API Spec 6A & API 16C Latest Edition
Material Class	API Material class DD up to HH-NL - The valve body / bonnet with forged construction - API 75K material, impact tested
Temperature Range	-50 deg. F to 350 deg. F
PSL	PSL 1, PSL 2, PSL 3 & PSL 3G
PR	PR 1, PR 2, PR2F
Service Condition	NACE MR0175 / H2S Service
Trim options	Fixed Orifice Threaded Seat with Tungsten Carbide tip
Actuation	Hand Wheel Type & Gear Actuated Type
Inlay Requirements	Alloy 625 inlay for Ring Grooves, Seat Pockets & Stem Packing Area (upon request)
Choke X & Y Dimensions	As per Sayatva Standard's
Monograms	As per API 6A & API 16C latest Edition
Certifications / Type Approval	Additional Third-party certification available upon request
Aramco Requirements	Chokes in compliance with Aramco Well Control 6th Edition are available upon request

Choke Dimensions:			
Choke Size	Pressure Rating	X - Dimensions	Y - Dimensions
1" Orifice			
2-1/16"	5K	6.88"	8.00"
	10K	7.68"	8.81"
3-1/8"	3K	7.81"	8.93"
	5K	9.68"	9.56"
3-1/16"	10K	10.38"	11.75"
2" Orifice			
3-1/8"	3K / 5K	8.88"	11.38"
3-1/16"	10K	10.38"	11.75"
3" Orifice			
4-1/16"	5K	12.25"	12.25"
	10K	13.25"	13.25"



Dimensions and BOM details are available upon request.
For Further questions or quotations requests, contact sales@sayatva.com.

Model S600P

Positive Choke

