

Model S200M

Manual Gate Valve – Mud Application

SAYATVA'S MODEL S200M are specially designed for mud, cement, fracturing applications to handle high and fluctuating pressure and abrasive which offers various features making it suitable for mud applications in oil and gas services up to 15,000 PSI operating pressure.

Reliability:

The Model S200M valve has a track record of proven performance in the field, indicating its reliability.

Bi-directional Sealing: The valve is designed to provide sealing in both directions, ensuring effective isolation. This feature is particularly beneficial in applications where flow reversal may occur or when the valve needs to block fluid in either direction.

Body without penetrations:

The valve body has no penetrations. Grease injection fitting is located on the bonnet, on the downstream side of the backseat for safety.

Floating Slab Gate and Seats: T-Nut and T-Slot Gate design produces a positive pressure energized sealing. Body pressure equalizes across the seat & eliminating body erosion in the seat pockets.

Highlights of using Model S200M at Mud Application:

- Retainer Plate helps restrict Mud entry into body Cavity.
- Mud free body cavity.
- Extended Life of Seat Seals and Stem Packing.
- Reduce risk of erosion/corrosion on Body Cavity & Trim Parts.
- Increased life of valve due to mud free functions at body cavity.
- Reliable and Safe to Operate.

Features & Benefits:

- Skirted Seat assembly prevents containments from entering body cavity.
- Hard facing components ensures from Corrosion/Erosion.
- T-Nut and T-Slot Gate Design provides better alignment and sealing.
- Back seat as standard to meet API 6A requirement.
- True low-pressure sealing.
- Thru conduit Seals eliminates the Turbulence experienced by other OEM's Mud Gate Valve
- Non-Elastomeric Seal used for Mud application.
- Designed for extreme pressure and temperature.
- Can be serviced In-line and components can be easily replaced.
- Various trims are available to meet different operating conditions.
- Valve opens and closes without requiring excessive torque.
- Bearing cap grease fitting allows positive bearing lubrication.
- Easy Assembly and Disassembly
- Low Maintenance.



Application:

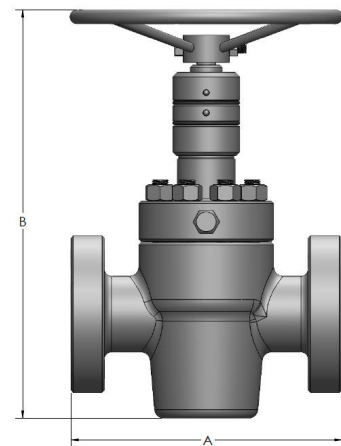
- Drilling Application
- Production Applications
- Well Head & Christmas Tree equipment
- Choke & Kill manifold
- MPD Manifolds
- Mud applications

Model S200M

Manual Gate Valve – Mud Application

Technical Specification:	
Inlet / Outlet Connections	2-1/16" to 7-1/16"
Valve Pressure Rating (PSI)	2000, 3000, 5000, 10000, 15000
Design Standard	API Spec 6A Latest Edition
Material Class	API Material class DD up to HH-NL - The valve body / bonnet with forged construction - The valve body with cast construction as an option - API 75K material, impact tested
Temperature Range	-50 deg. F to 350 deg. F
PSL	PSL 1, PSL 2, PSL 3 & PSL 3G
PR	PR 1, PR 2, PR2F
Service Condition	NACE MR0175 / H2S Service
Trim options	Single Seat design with gates and seats are hard faced to tungsten carbide (TC). (Gate and seat can be nitrided or QPQ as an option)
Actuation	Manual Handwheel / Gear Operated Actuation
Bolting	As per API 20E Monogrammed (BSL 1, BSL 2, BSL 3)
Inlay Requirements	Alloy 625 inlay for ring grooves, seat pockets. Bonnet grooves (upon request)
Flange Face to Face Reference	As per API 6A latest edition
Monograms	As per API 6A latest edition
Certifications / Type Approval	Additional Third-party certification (upon request)
Aramco Requirements	Valves in compliance with Aramco Well Control 6th Edition (upon request)

Valve Dimensions:			
Valve Size	Face to Face (A) (±0.06)	Height (B) (±0.04)	Weight (lbs)
5000 PSI			
2-1/16"	14.62"	23.00"	175
3-1/8"	18.62"	26.45"	360
4-1/16"	21.62"	31.13"	545
7-1/16"	32.00"	43.56"	1700
10000 PSI			
2-1/16"	20.50"	23.25"	275
3-1/16"	24.38"	26.26"	680
4-1/16"	26.38"	32.00"	1100
7-1/16"	35.00"	70.54"	3000
15000 PSI			
2-1/16"	19.00"	21.92"	350
3-1/16"	23.56"	33.85"	1065
4-1/16"	29.00"	57.50"	1400



Other sizes dimension details are available upon request.
For further questions or quotations requests, contact sales@sayatva.com.